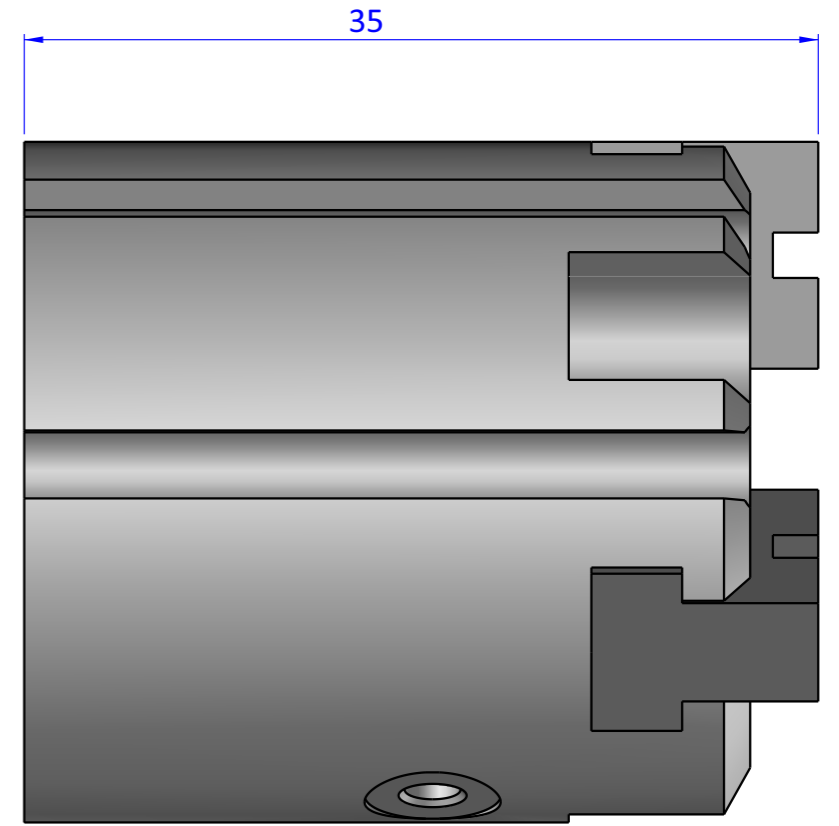
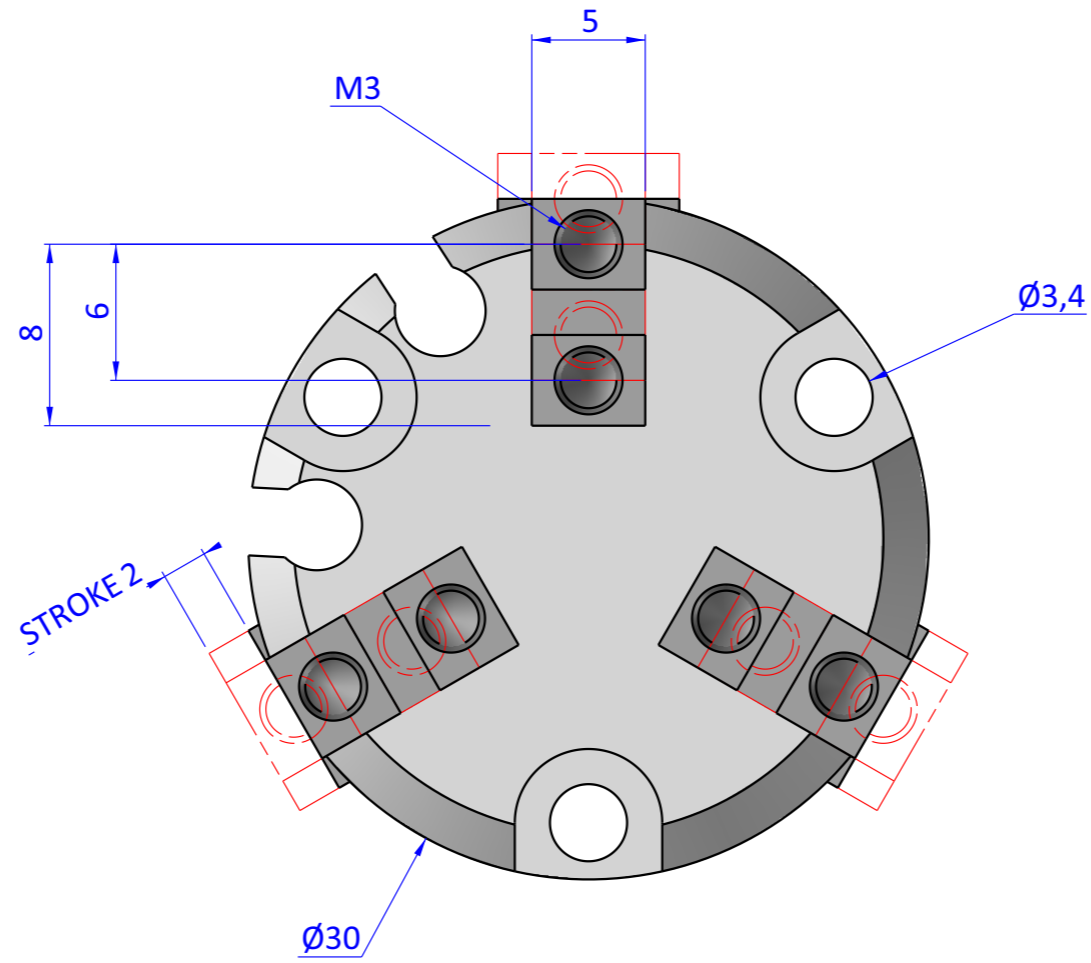
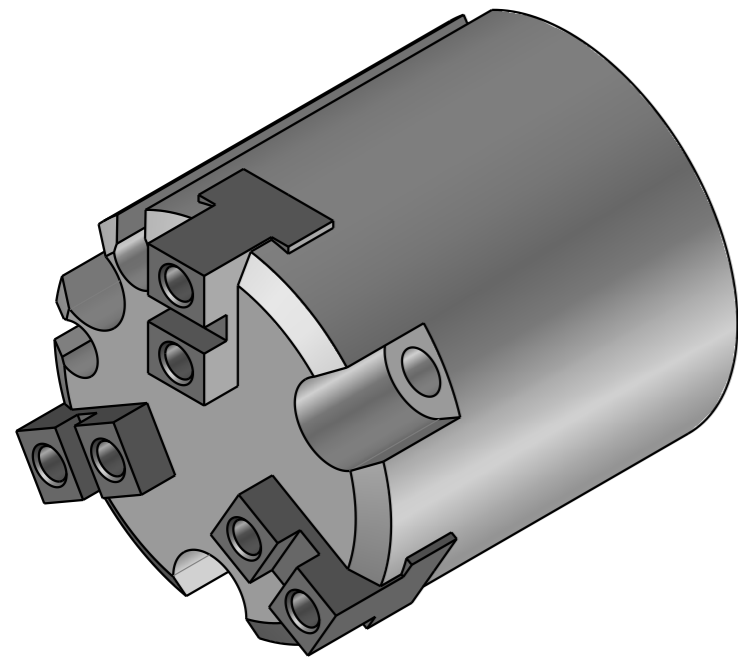

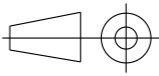


THE PROPERTY OF THE DRAWING IS ESTABLISHED BY LAW. IT IS FORBIDDEN TO PRODUCE OR SHOW IT TO THIRD PART. WITHOUT A WRITTEN AGREEMENT.



Format A3

UNI 936-76

 FPS SERVICES AUTOMATION				DESIGNED FROM <b>FPS Automation</b>	REVIEW <b>A</b>
		GENERAL TOLERANCE UNI - ISO 2768 CLASSE f	DESCRIPTION <b>CA.MHS.16</b>	DATE <b>29/12/2022</b>	WEIGHT <b>0,060kg</b>
				CODE <b>CA.MHS.16</b>	